

BARRICADE

INSTALLATION INSTRUCTIONS

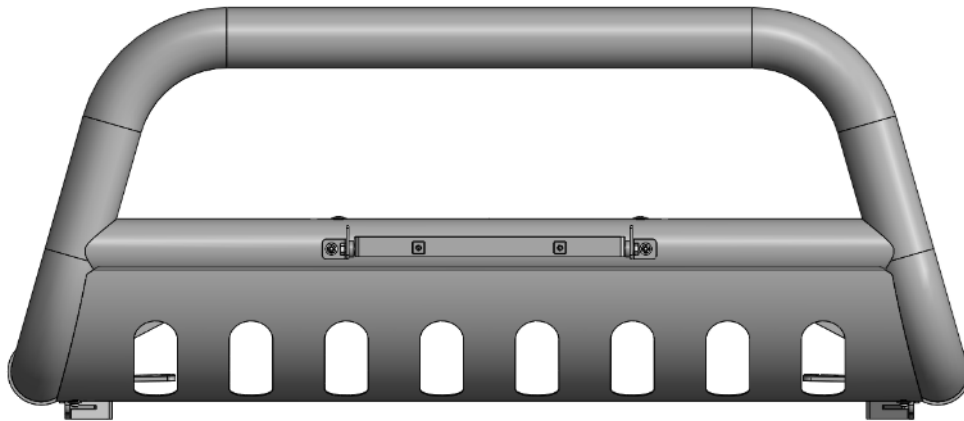
3" BULL BAR
2024-2026+ TACOMA
SKU # TT63205 / TT63206



INSTALLATION INSTRUCTIONS

PARTS LIST: TT63205 ; TT63206

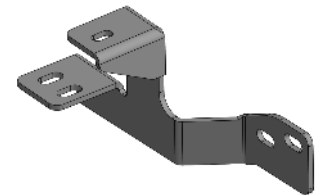
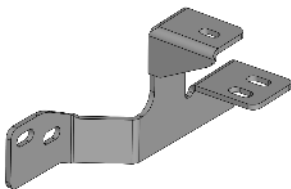
Description	QTY	Description	QTY
Bull Bar	1	10mm Lock Washers	2
Driver/Left Mounting Bracket	1	12mm x 40mm Hex Bolts	4
Passenger/Right Mounting Bracket	1	12mm x 32mm x 3mm Flat Washers	8
License Plate Bracket	1	12mm Nylon Lock Nuts	4
10mm x 35mm Bolt Plates	2	6mm Button Head Combo Bolts	2
10mm Hex Nuts	2	Plastic Plugs for License Plate Mount	2
10mm x 27mm x 3mm Flat Washers	2	S=4 Allen Wrench	1
10mm Plastic Retainers	2		



Passenger/right Mounting Bracket

License Plate Bracket

Driver/left Mounting Bracket



Lock Washer



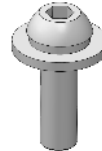
Flat Washer



Hex Bolt



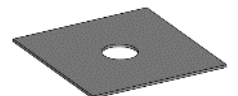
Hex Nut



Button Head Combo Bolt

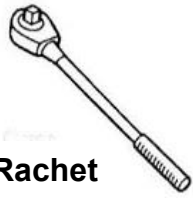


Bolt Plate

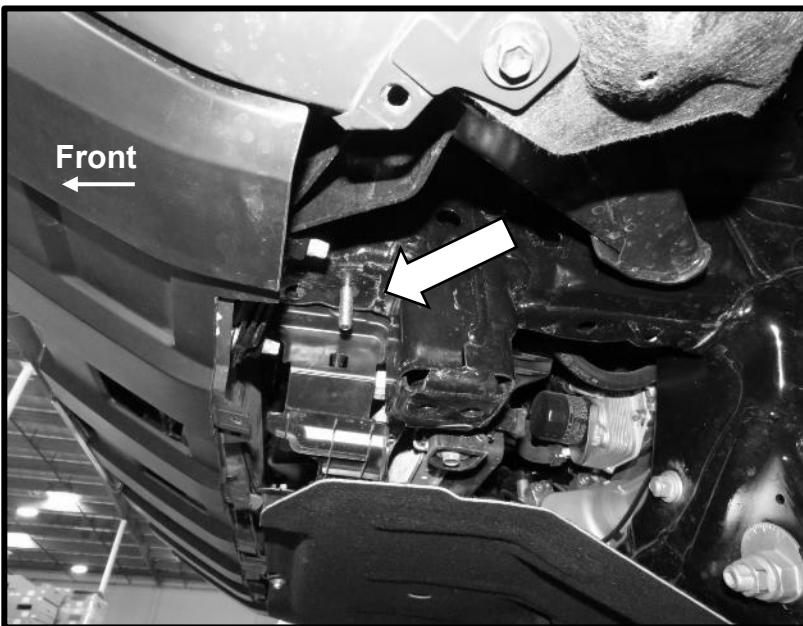


Plastic Retainer

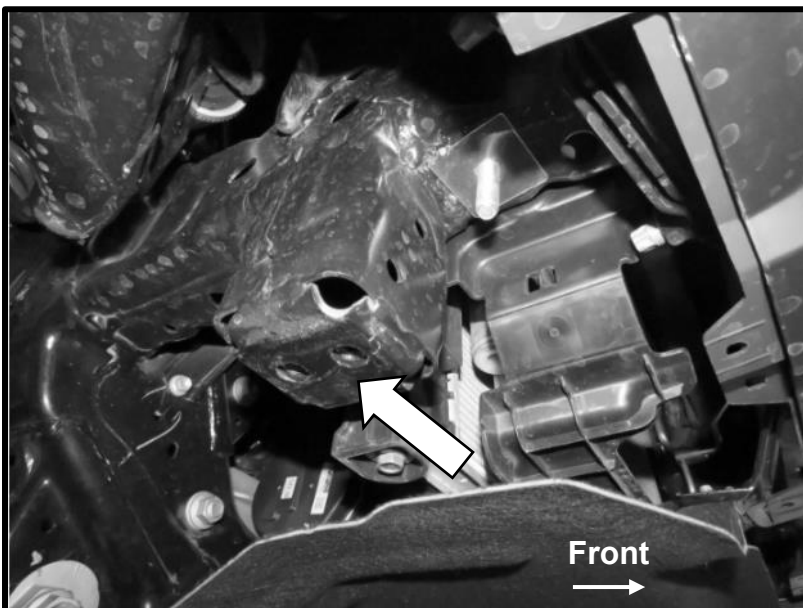
TOOLS REQUIRED



1 Follow (Fig 1 – 5) to install the Mounting Brackets to the vehicle. Hand tighten only at this point.

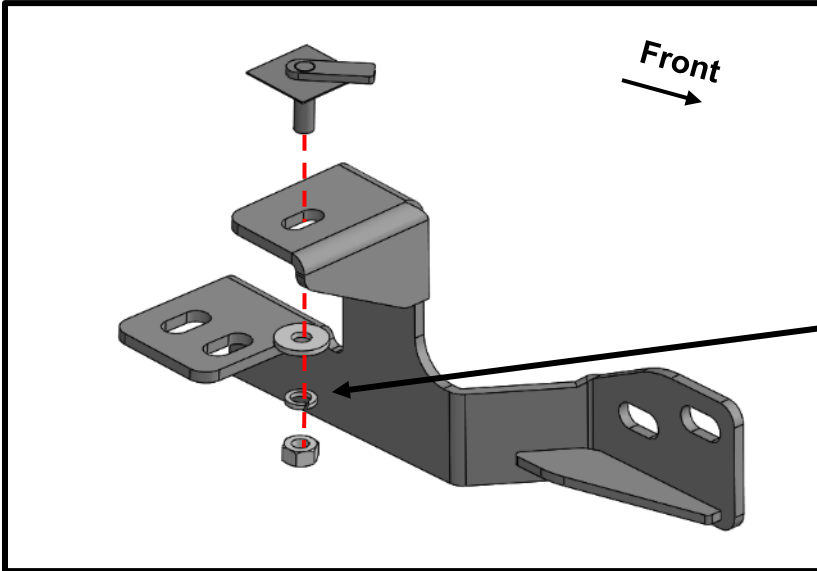


(Fig 1) Insert the Bolt Plate to the pictured hole and attach the Plastic Retainer. Do this for both sides.



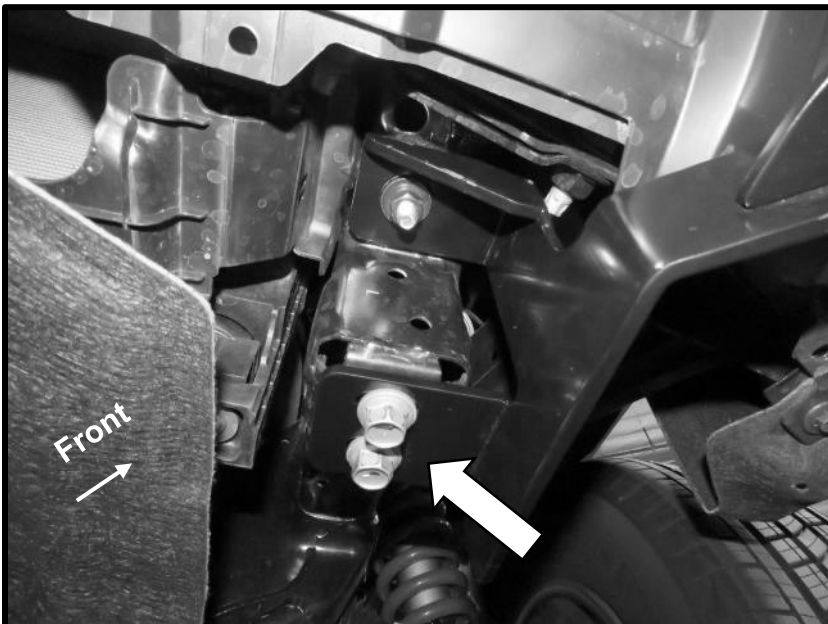
(Fig 2) On both sides, remove the two bolts located the arrow. Set them aside, they will be reused.

Note: If your vehicle has a tow-hook here, remove that as well.



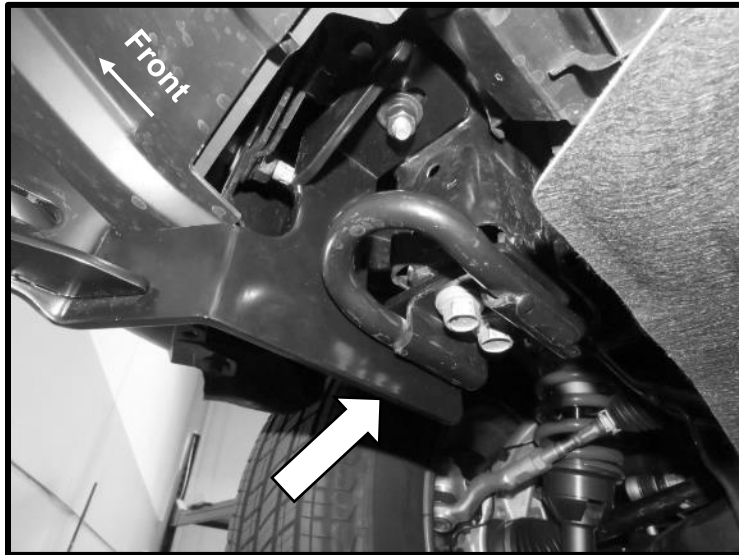
(Fig 3) Install the Mounting Bracket to the Bolt Plate as pictured.

- (1) Bolt Plate
- (1) Plastic Retainer
- (1) 10mm Lock Washer
- (1) 10mm Flat Washer
- (1) 10mm Hex Nut



(Fig 4) Complete installation of the Mounting Brackets by reusing the OEM hardware as pictured.

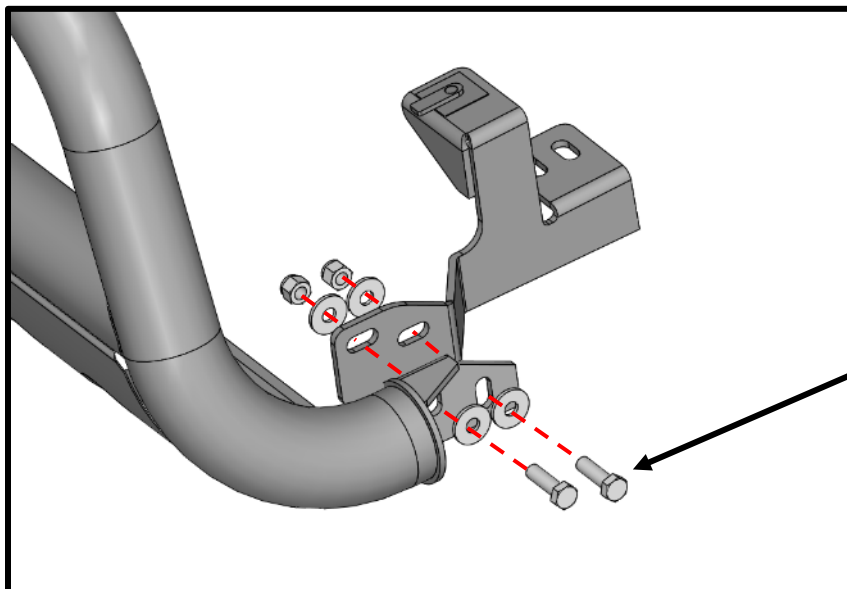
Note: For tow-hook reinstallation, see (Fig 5) before completing this step.



(Fig 5) For optional tow hook re-installation, stack them underneath the Mounting Brackets as shown. Then re-use the OEM hardware to install both the mounting bracket and the tow hook to the mount point.

2

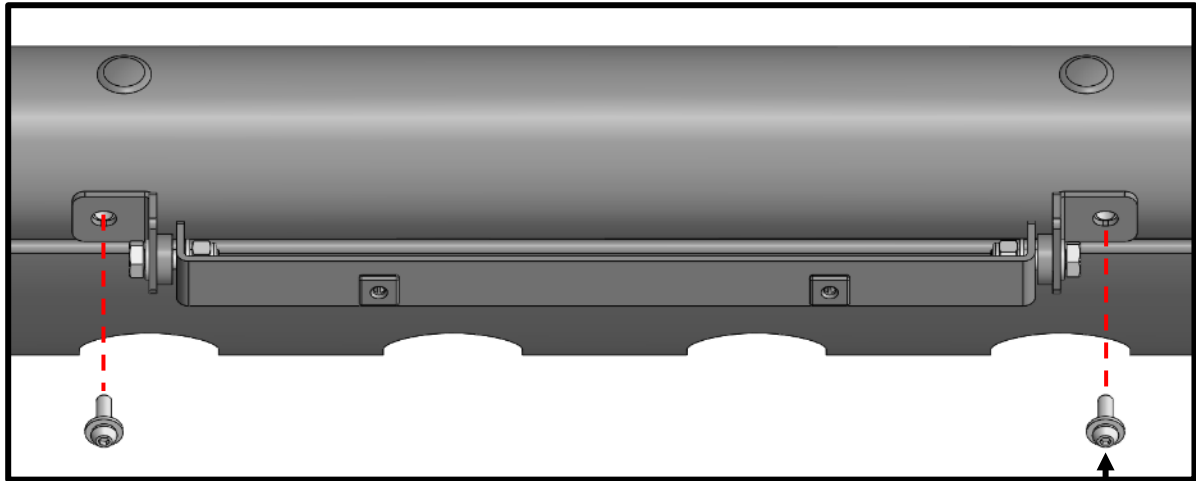
Follow (Fig 6) to install the Bull Bar to the Mounting Brackets. Remove front license plate before attaching the Bull Bar to the Mounting Brackets. Set license plate aside for now. Once the Bull Bar is attached to the Mounting Brackets, level and center the Bull Bar, then tighten all hardware.



(Fig 6) Install Bull Bar to Mounting Brackets as pictured.

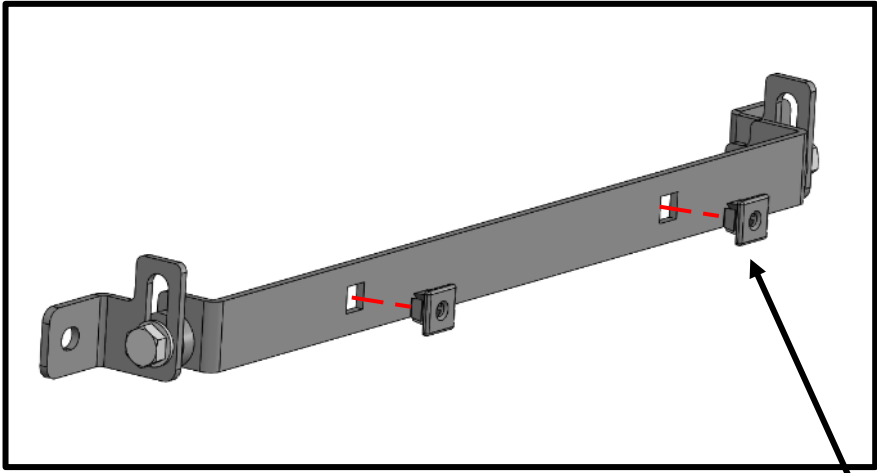
(1) 12mm Hex Bolt
(2) 12mm Flat Washer
(1) 12mm Hex Nut

3 Follow (Fig 7 – 8) to relocate the license plate.



(Fig 7) Install License Plate Bracket to Vehicle as pictured.

(1) 6mm Button Head Combo Bolt



(Fig 8) Use the plastic plugs to attach the license plate to the license plate bracket using the pictured holes.

(1) Plastic Plug

4

Installation is now complete. Ensure that the mounting brackets are level and secured, then ensure that the Bull Bar is centered. Perform periodic inspections to the installation to make sure that all hardware is secure and tight.



Complete Installation